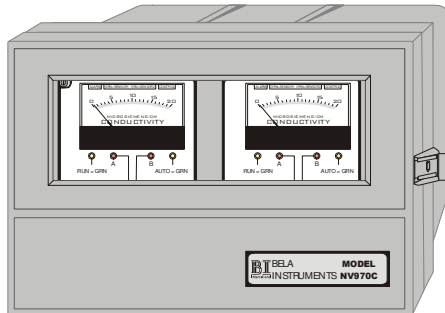


Model 970 Conductivity Analyser For Contacting Type sensors



- Universal mounting
- Economical - ideal for custom system designs
- Modular construction simplifies field servicing
- Single Dual channel (optional)
- Range expandable outputs
- Versatile relay operation
- 1/2 DIN NEMA 4X enclosure

Specifications

Operational

| | |
|--------------------------------|--|
| Display | Analog meter with 3 - 1/2" mirrored scale. |
| Measuring Range | 0 - 20 μ S/cm |
| Ambient Conditions | -30 to 70 °C, 0-100% R.H., non-condensing |
| Relays(Both) | Two SPDT contact outputs, U. L. rating 5 A 115 V/ 230 VAC, 5A @ 30 VDC resistivity referred to 25°C AUTO/MAN/OFF switch at 3 μ S/cm (field adjustment facility available) |
| Control alarm set points | Fixed in the increasing mode Relay A ~ 4 μ S/cm |
| Indicators | LED lights Orange when respective relay energizes |
| Temp. Compensation | Automatic 0 - 100°C; manual available at: 25, 50, 70, 80, 90°C Switch Selectable |
| Power Requirement | 98-132 VAC, 50/60 Hz (less than 5VA), Optional 195-265 VAC, 50/60 Hz |
| Analog Output | Expandable and non-isolated* 4-20 mA & 825 ohm max load |

* Non - isolated outputs are isolated from ground and line power but not from the input or each other. The isolated output is isolated from the input, ground, line power and all other outputs.

Analyser Performance:

| | |
|---------------------|--|
| Sensitivity | 0.1% of span |
| Stability | 0.1% of span per 24 Hrs, |
| Non-linearity | 0.5% of span |
| Temp-drift | zero and span 0.02% of span/°C |
| Response Time | 3 sec to 90% of value upon step change |

Analyser Mechanical:

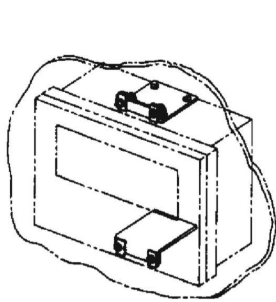
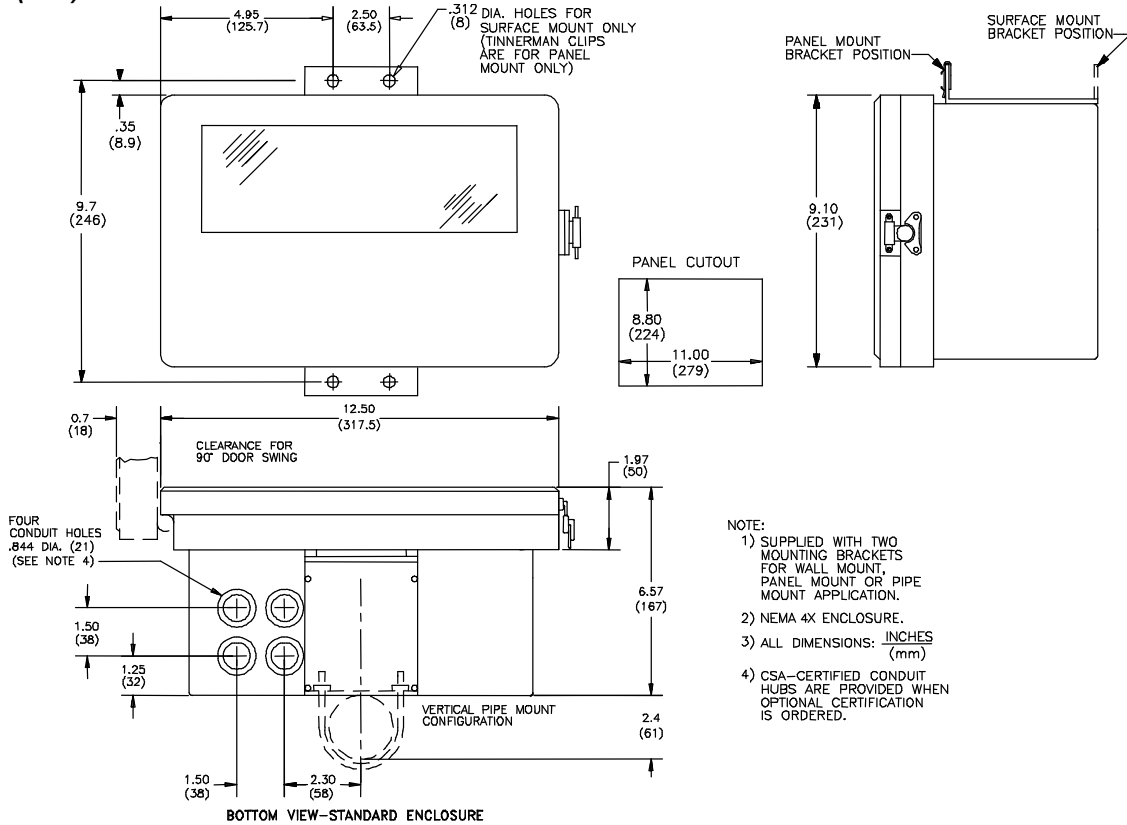
| | |
|------------------------------|--|
| Enclosure | NEMA 4X (Dust - tight, weather proof, corrosion resistant, universal mount) |
| Mounting Configuration | Panel, Surface, Pipe - horizontal vertical pipe mounting optional |
| Net weight | Approx. 5.5 Kg max |

Ordering Information

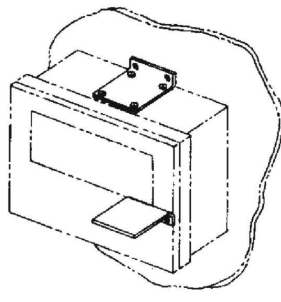
| | |
|------------|---|
| NV-970-C-1 | Single channel contacting conductivity analyser |
| NV-970-C-2 | Dual channel contacting conductivity analyser |

Enclosure Dimensions & Mounting

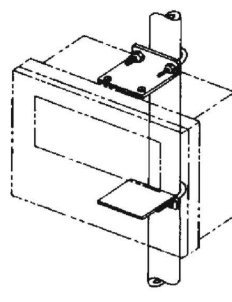
Inches (mm)



Panel-Mount
(tinnerman nuts included)



Surface-Mount



pipe-Mount
(U-bolts not included)